

GUNT Practice Line

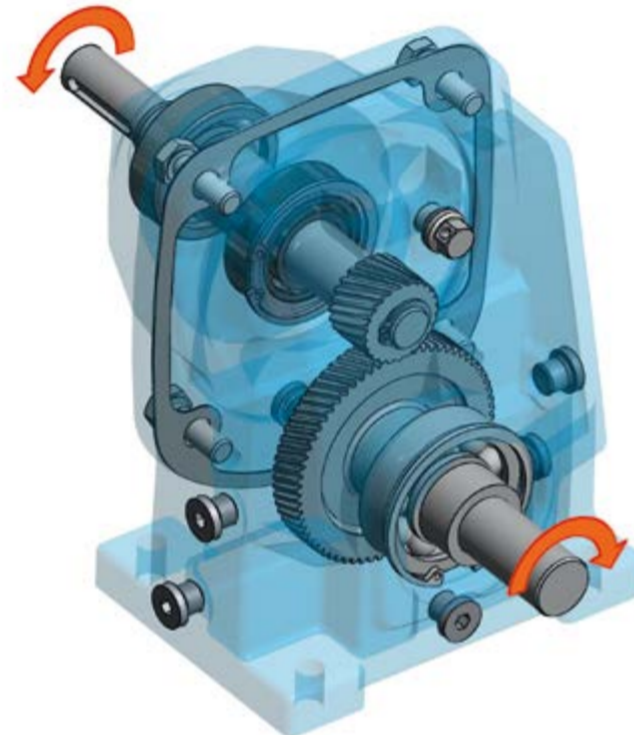
Next generation assembly exercises

Variable handling and processing of digital data is the access of understanding industry 4.0

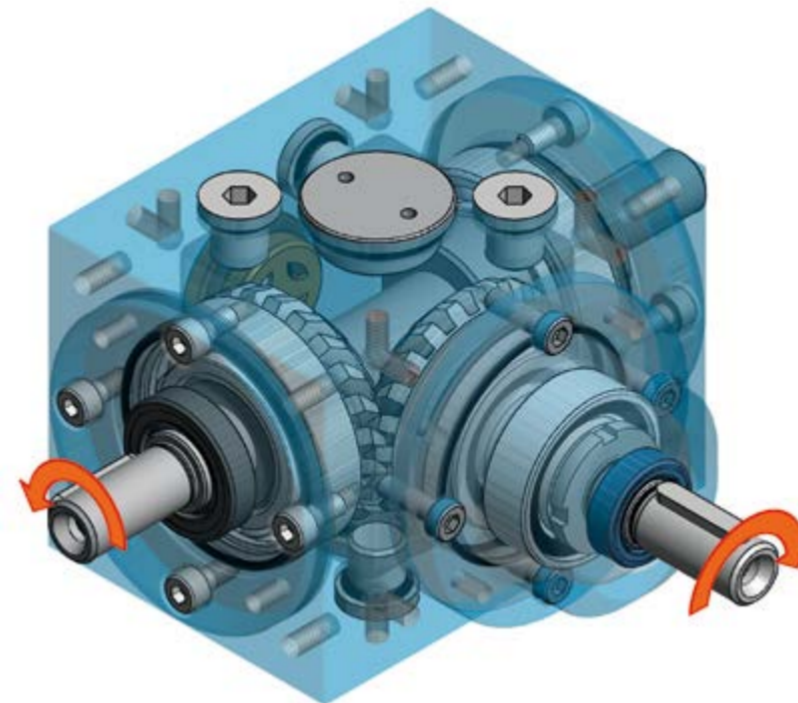
Learning content

- assembly and disassembly of various industrial gear units
- planning of the assembly process
- familiarization of machine elements and their function
- reading and understanding of technical drawings
- calculation of transmission characteristics and learning about different types of materials
- dealing with digital data: CAD files, 3D PDF, exploded views
- creating production programs for 3D printing and CNC machining

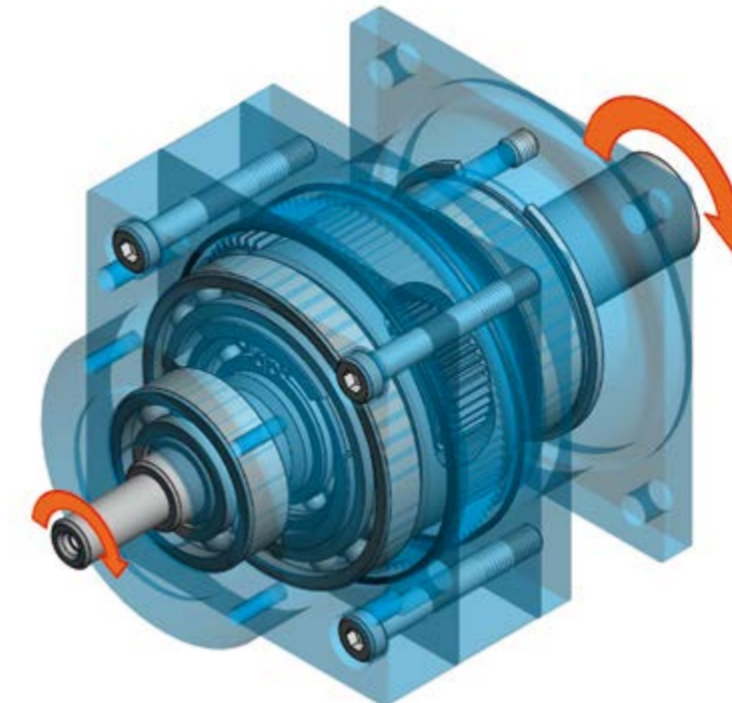
MT 120 Assembly exercise spur gear



MT 121 Assembly exercise mitre gear



MT 122 Assembly exercise planetary gear



Further assembly exercises



MT 141
Assembly exercise:
piston compressor



MT 110.02
Assembly exercise:
spur wheel / worm gear mechanism



MT 180
Assembly exercise:
centrifugal pump

Advantages

- Comprehensive technical information and didactic material on USB stick and as printed manual.
- No surcharge- or accessories policy: You will receive everything you need for your successful lessons with one order number.
- At GUNT you speak with experts: We are a mechanical engineering company. This distinguishes us from dealers or publishers. You benefit from it.

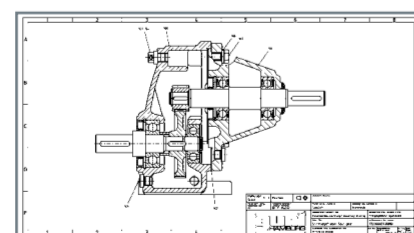
Special features already included



Interactive 3D PDFs „Exploring“ of all details



Videos with detailed step-by-step assembly instructions with interactive parts list function



All CAD files and sets of drawings already included

Thought out storage and transport system



Storage case incl. gear set and mounting tools

Platform-independent: Computer, tablet or mobile phone



... and many more from all areas of technology

Arrange a qualified demonstration at your location.

More information at: www.gunt.de