

# Control engineering from basic to advanced

## Introduction to the topic with RT 010 – RT 060

- complete introductory course for typical controlled systems from the field of process control engineering
- compact desktop units, ideally suited to multi-user applications
- high level of observability of processes based on transparent elements

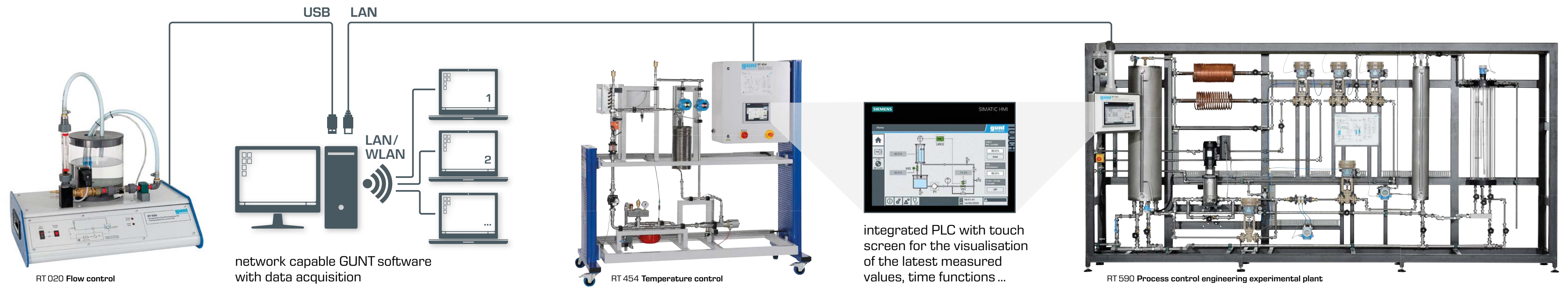
## Practice-oriented learning with RT 451 – RT 455

- use of smart sensors as industry 4.0 data source
- mobile trainers with industrial components
- clearly arranged control loops – associated components can be easily identified visually

## Industrial scale for advanced users with RT 590

- maximum practical relevance: complex experimental plant with separate supply unit
- four control loops in one unit, cascade control
- fault analysis based on simulated typical faults

HMI



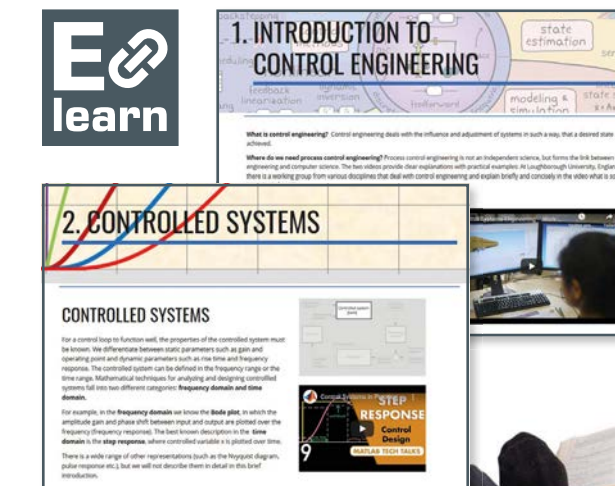
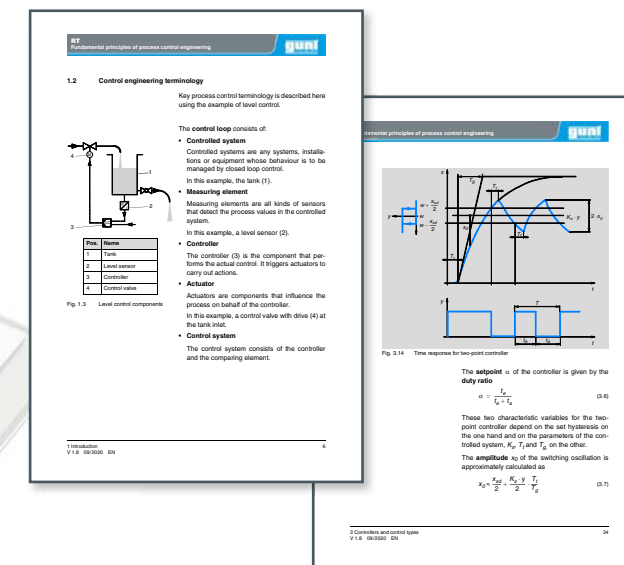
Remote learning



Software simulation of controlled systems up to 2<sup>nd</sup> order



Didactic accompanying material: basics of control engineering



E-Learn course: basic knowledge, videos and manuals accessible online

