

## CE 272

### Rotary vane vacuum pump



#### Description

- rotary vane pump for vacuum generation
- simulation of leaks

Vacuum plays an important role in process engineering. It can, for example, be used to siphon off various fluids or for vacuum filtration. In vacuum distillation, vacuum is used to lower the boiling point and thus be able to separate substances that would decompose at higher temperatures. Another important area is the separation of sorbed substances from the solvent by means of vacuum in absorption systems.

Rotary vane pumps have a working space with a circular cross-section. A rotor is eccentrically installed in the working space. Springs press the vanes embedded in the rotor against the wall of the working space. Rotor and vanes divide the working space into two separate spaces with a variable volume. Due to the eccentric position of the rotor, the gas enclosed on the intake side is compressed when the rotor turns.

The pressure of the gas increases with each rotation until it exceeds the ambient pressure and the outlet valve opens. The rotary vane pump constantly requires oil in the working space to ensure leak tightness and reduce the friction. Part of the oil is discharged with the air on the delivery side. An oil separator on the delivery side of the rotary vane pump removes the oil from the conveyed air.

The rotary vane pump in CE 272 conveys air from a pressure vessel. Negative pressure builds up in the pressure vessel. A large manometer on the pressure vessel indicates the negative pressure. The pressure vessel has two inlet lines for the simulation of loads and leaks. Silencers in the inlet lines reduce the flow noise. The flow rate in the two lines is adjusted by means of needle valves. A flow meter is installed in one of the two lines to simulate loads and leaks.

#### Learning objectives/experiments

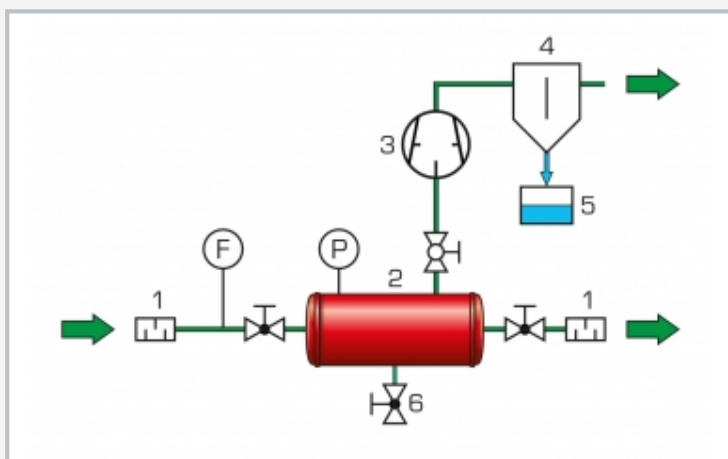
- familiarisation with the basic principle of a rotary vane pump
- simulation of leaks
- generation of negative pressure over time
- determination of the flow rate as a function of the counter pressure

# CE 272

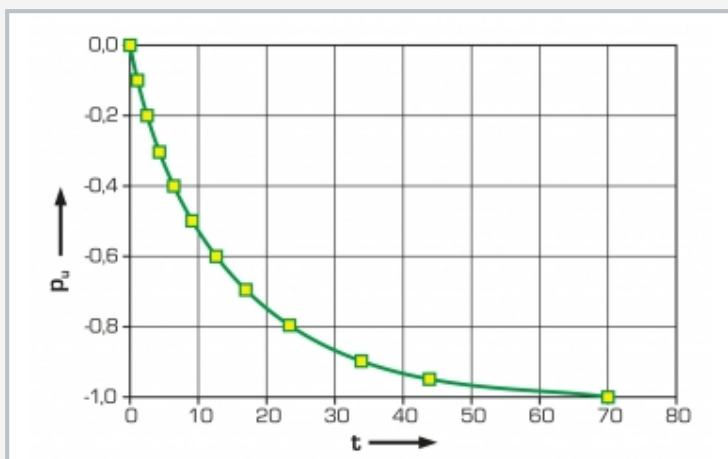
## Rotary vane vacuum pump



1 needle valve, 2 flow meter, 3 silencer, 4 rotary vane pump, 5 oil separator, 6 pressure vessel, 7 needle valve with silencer, 8 manometer



1 silencer, 2 pressure vessel, 3 rotary vane pump, 4 oil separator, 5 oil tank, 6 drain valve for condensate; F flow rate, P pressure



Generation of negative pressure over time:  $p_v$  negative pressure in bar,  $t$  time in seconds

### Specification

- [1] vacuum generation with a rotary vane pump
- [2] vacuum generation in a steel pressure vessel
- [3] oil separator with tank on the delivery side of the rotary vane pump
- [4] manometer to display the pressure in the vessel
- [5] 1 inlet line with needle valve, 1 inlet line with needle valve and flow meter on the pressure vessel for simulation loads and leaks
- [6] 2 silencers to reduce flow noise

### Technical data

Rotary vane pump

- max. flow rate:  $5\text{m}^3/\text{h}$
- final vacuum:  $0,02\text{mbar}$
- motor power output:  $370\text{W}$

Volume of pressure vessel: 20L

Oil separator

- separation efficiency: 99,98%
- capacity of tank: 150mL

Measuring ranges

- pressure:  $-1 \dots 0\text{bar}$ 
  - ▶ resolution:  $0,02\text{bar}$
- flow rate:  $0,4 \dots 4\text{Nm}^3/\text{h}$

230V, 50Hz, 1 phase

230V, 60Hz, 1 phase

120V, 60Hz, 1 phase

UL/CSA optional

LxWxH: 1000x550x580mm

Weight: approx. 60kg

### Scope of delivery

- 1 experimental unit
- 1 stopwatch
- 1 oil 1L (P3)
- 1 set of instructional material

# **CE 272**

## **Rotary vane vacuum pump**

Optional accessories

020.30009      WP 300.09      Laboratory trolley