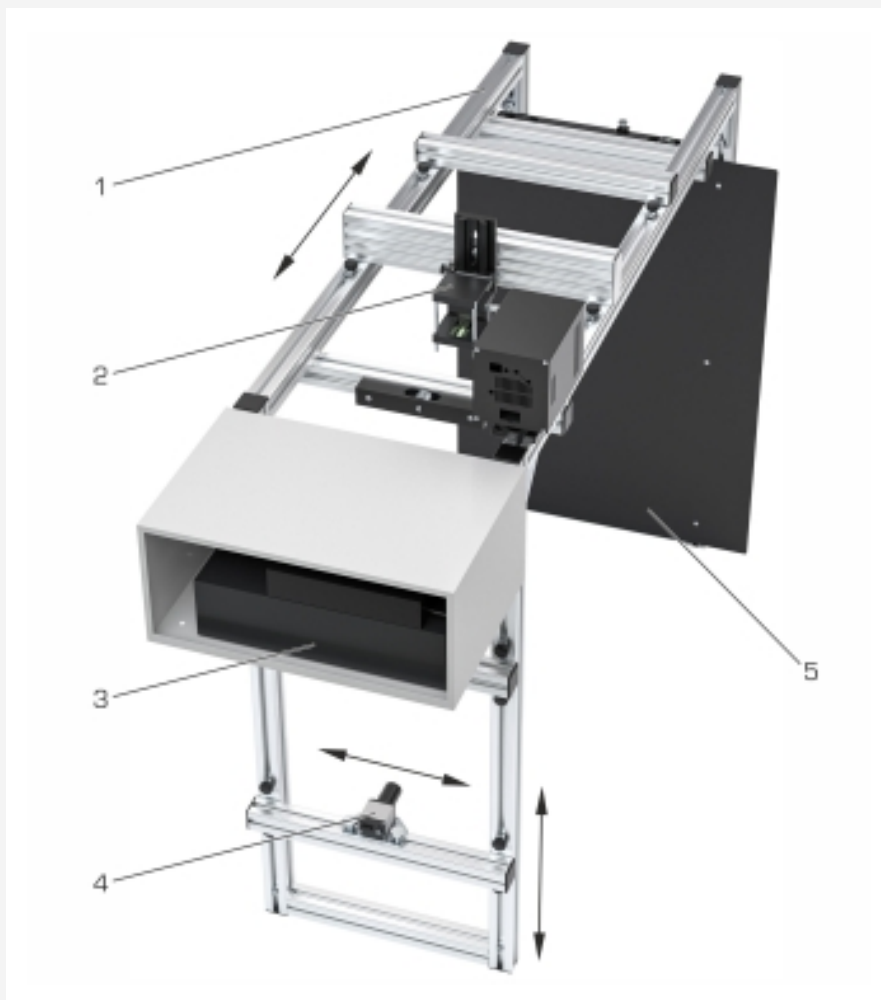


HM 161.82

Instrument carrier for PIV system



1 instrument carrier, 2 light source (not included), 3 deposit e.g. for synchroniser, 4 camera (not included), 5 plate as contrast surface

Description

- **instrument carrier movable over the complete experimental section with attachment for camera and light source**
- **plate as contrast surface for camera images**

The HM 161.82 accessory is intended as a carrier for the HM 161.81 PIV system.

The instrument carrier consists of a frame which is placed above the experimental section. A light source can be inserted into the frame to illuminate the particles in the flow. A camera can also be positioned in the frame. For optimal camera images, the plate attached to the frame provides a good contrast surface.

The instrument carrier can be moved on rollers along the entire length of the experimental section. The camera position can also be moved vertically. The light source can be moved on sliding rails at right angles to the flow.

The instrument carrier has an integrated scale with pointer for determining the position transversely to the flow direction. Parallel to the direction of flow, the instrument carrier has a pointer indicating the position on the scale of the experimental flume.

Specification

- [1] instrument carrier to be placed on the rails of the HM 161 experimental flume
- [2] movable in the direction of flow over the entire experimental section
- [3] movable transversely to the direction of flow
- [4] camera position additionally movable vertically
- [5] precise positioning in longitudinal and transverse direction
- [6] frame made of corrosion-resistant materials
- [7] plate as contrast surface for camera images

Technical data

Travel paths

- instrument carrier: in flow direction over entire experimental section
- mounted light source: transverse to flow direction
- mounted camera: vertical

Required for operation

HM 161.81 PIV-System

Scope of delivery

- 1 instrument carrier

HM 161.82

Instrument carrier for PIV system

Required accessories

HM 161	Experimental flume 600x800mm
HM 161.81	PIV-System