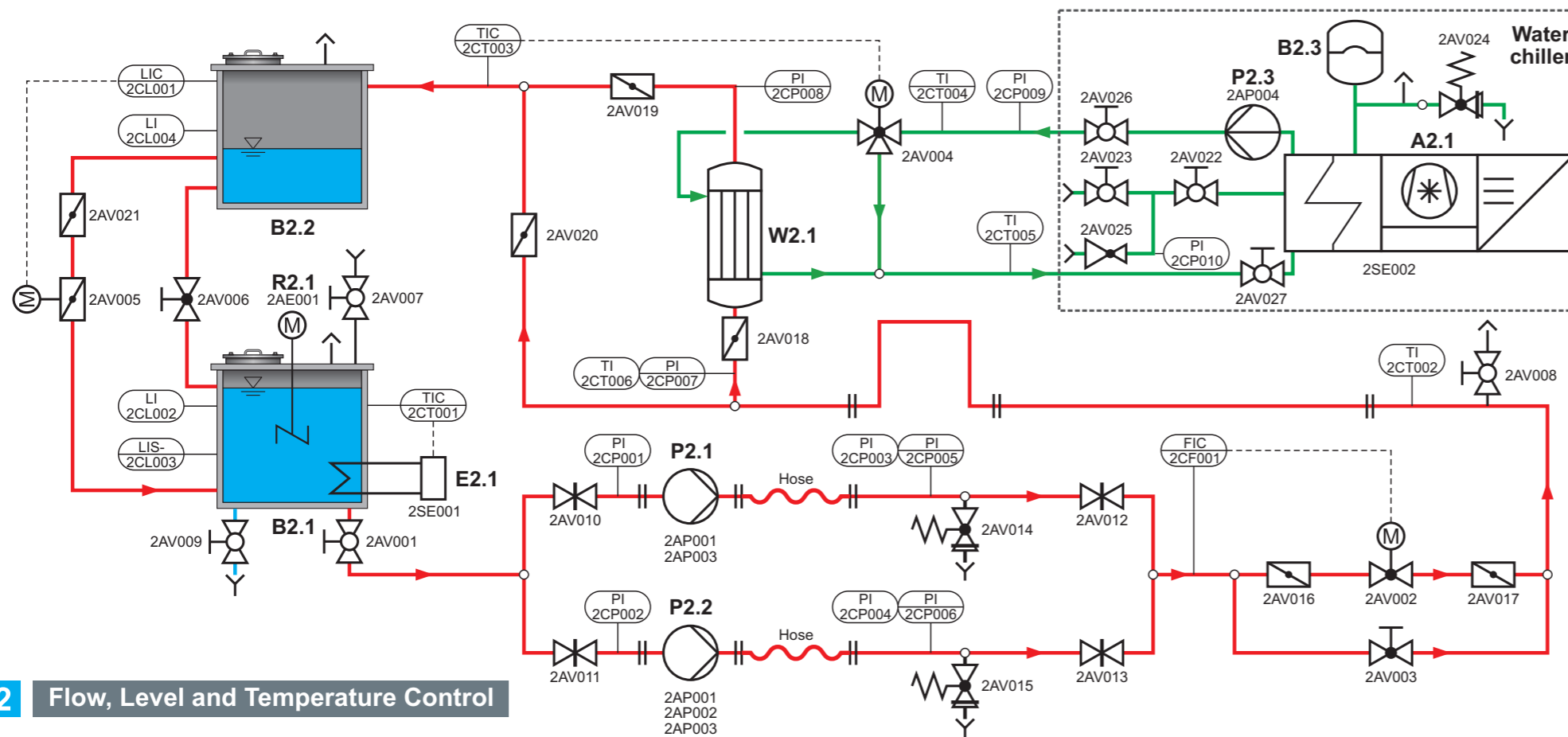


1 Flow and Level Control



2 Flow, Level and Temperature Control

MPTR

Main Process Training Rig

